

IR 180

COM1 - white
 EAN 4007841 029944
 Article number 029944



infrared sensor
180°



max. 12 m

2000 W

max. 2000 W



IP20



2 - 1000 lux



30 sec - 30 min



indoor sensor



energy saving

5 years

manufacturer's warranty steinel-professional.de/garantie



CE

Function description

The new benchmark. High-precision IR 180 infrared presence sensor with a reach of 20 m. Ideal for new builds. 180° angle of coverage. Fast and easy 3-wire installation. Attractive design. Integrated button for manual override. The KNX version also provides temperature and air humidity readings.

Technical specifications

Dimensions (L x W x H)	30 x 80 x 80 mm	LED lamps > 8 W	600 W
With motion detector	Yes	Capacitive load in µF	176 µF
Manufacturer's Warranty	5 years	Technology, sensors	passive infrared, Light sensor
Settings via	Remote control, DIP switches, Potentiometers, Smart Remote	Mounting height	1,10 – 1,20 m
With remote control	No	Mounting height max.	1,20 m
Version	COM1 - white	Optimum mounting height	1,2 m
PU1, EAN	4007841029944	Detection angle	180 °
Type	Presence detector	Angle of aperture	90 °
Application, place	Indoors	Sneak-by guard	Yes
Application, room	one-person office, corridor / aisle, function room / ancillary room, kitchenette, stairwell, WC / washroom, Indoors	Capability of masking out individual segments	No
Colour	white	Electronic scalability	Yes
Colour, RAL	9010	Mechanical scalability	No
Includes corner wall mount	No	Reach, radial	r = 4 m (25 m ²)
Installation site	wall	Reach, tangential	r = 12 m (226 m ²)
Installation	Concealed wiring, Wall	Reach, presence	r = 4 m (25 m ²)
		Switching zones	96 switching zones

IR 180

COM1 - white
 EAN 4007841 029944
 Article number 029944



Technical specifications

IP-rating	IP20
Ambient temperature	from 0 up to 40 °C
Material	Plastic
Mains power supply	220 – 240 V / 50 – 60 Hz
Switching output 1, resistive	2000 W
Switching output 1, number of LEDs / fluorescent lamps	8 pcs.
Fluorescent lamps, electronic ballast	1000 W
Fluorescent lamps, uncorrected	1000 VA
Fluorescent lamps, series-corrected	400 VA
Fluorescent lamps, parallel-corrected	500 VA
Switching output 1, low-voltage halogen lamps	2000 VA
LED lamps < 2 W	100 W
LED lamps > 2 W < 8 W	300 W

Functions	Normal / test mode, Semi-/fully automatic, Switch active / switch inactive, Manual ON / ON-OFF
Twilight setting	2 – 1000 lx
Time setting	30 s – 30 Min.
Basic light level function	No
Main light adjustable	No
Twilight setting TEACH	Yes
Constant-lighting control	No
Interconnection	Yes
Type of interconnection	Master/master, Master/slave
Interconnection via	Cable
Product category	Presence Switch

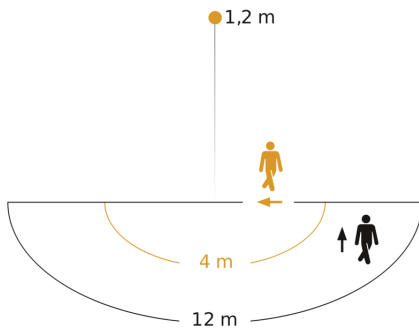
Accessories

EAN 4007841 034160	Adapter frame for IR/HF 180
EAN 4007841 034184	Adapter frame for IR/HF 180
EAN 4007841 034139	Adapter frame for IR/HF 180
EAN 4007841 559410	Service remote control RC8
EAN 4007841 009151	Remote control Smart Remote

IR 180

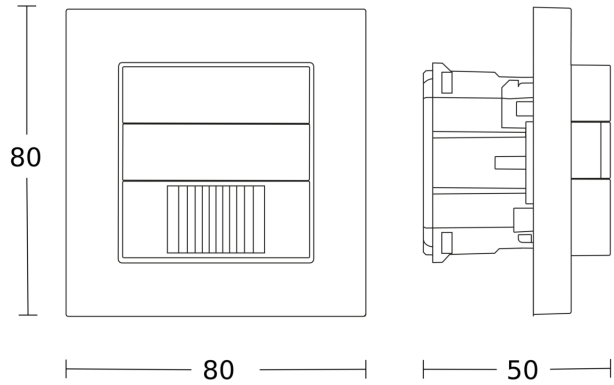
COM1 - white
EAN 4007841 029944
Article number 029944

Detection Zone

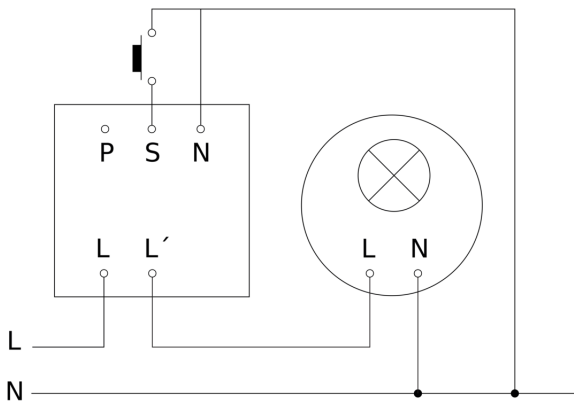


Possible mounting height: 1,10 m - 1,20 m
Orange: radial
Black: tangential

Dimension Drawing



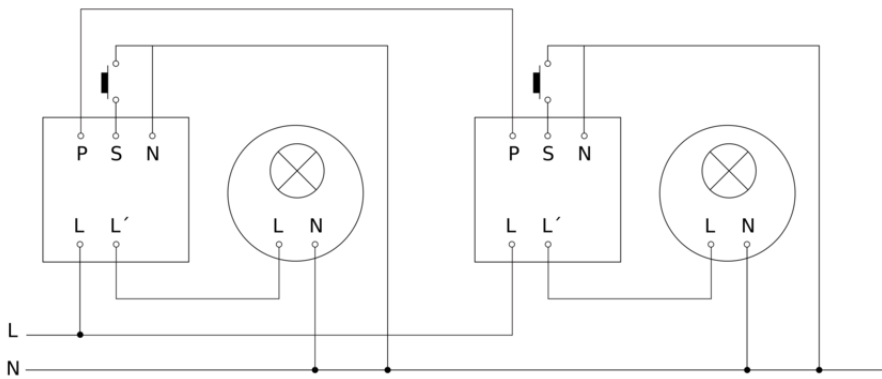
Master circuit diagram



IR 180

COM1 - white
EAN 4007841 029944
Article number 029944

Master/master interconnection circuit diagram



Master/slave interconnection circuit diagram

